



AVU8TXA

Wine Cellar service
Encastrable sous-plan
Built-under counter



GENERAL INFORMATION

Number of bottles : 8
Number of zones : 1
Adjustable temperature range : 5-20°C
Noise level : 39dB
Energy class : G
Climate class : N/ST (16-38)
Vinotag compatible : Yes

Product description

Built-in Under-Counter Wine Cellar: Optimal Tasting and Long-Lasting Preservation

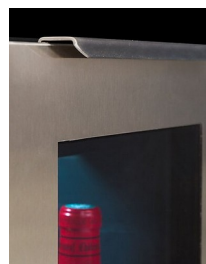
This built-in wine cellar, just 15 cm wide, features a discreet handle and removable ventilation grille, designed to simplify installation and showcase your bottles beautifully.

With this cellar, you can store an 8th bottle in an upright position—perfect for preserving an already opened bottle.



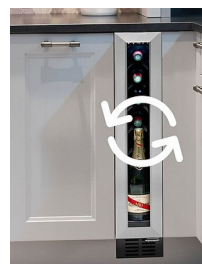
A 15 CM FORMAT WITH 8 BOTTLES

With an additional position at the front of the wine cellar, for a vertical bottle. Wide bottle



DISCREET HANDLES UNDER THE WORKTOP

The discreet handle to blend perfectly into any kitchen



REVERSIBLE DOOR

Adapt the opening of the door to easily install the cellar in the location of your choice



VINOTAG COMPATIBLE

Free wine cellar management application. Access a virtual representation of your cellar

AVU8TXA

EAN-13 - 3595320106015

Capacity and Temperature

- **Number of bottles: 8**
- **Adjustable temperature: 5-20°C**

Door

Door color : Stainless steel
Door glass color : Brown
Number of glass layers : 3
Anti-UV : Yes
Tempered glass : Yes
Lock : No
Reversible door : Yes
Handle type : Discreet handle under counter

Security

Alarm : Temperature
Child lock : No
Temperature memory : Yes

Logistic

Net dimensions (WxDxH): 14.5 x 54.8 x 82.0
Gross dimensions (WxDxH): 17.5 x 59.0 x 86.5

Technical Data

Energy class : G
Annual energy (KWh/a) : 133
Climate class : N/ST (16-38)
Noise level : 39dB / C
Energy Efficiency Index : 170 %
Power input : 70.00 W
Voltage : 220-240 V
Length of power cable : 200 cm
Plug Type : E type
Type of gas : R600a
Gas charge : 16 g
Mainly recyclable product : Yes
Type of compressor : standard
Main cooling system : Air moving system
Anti-vibration system : Yes
Adjustable feet : 4 / 6.5 cm

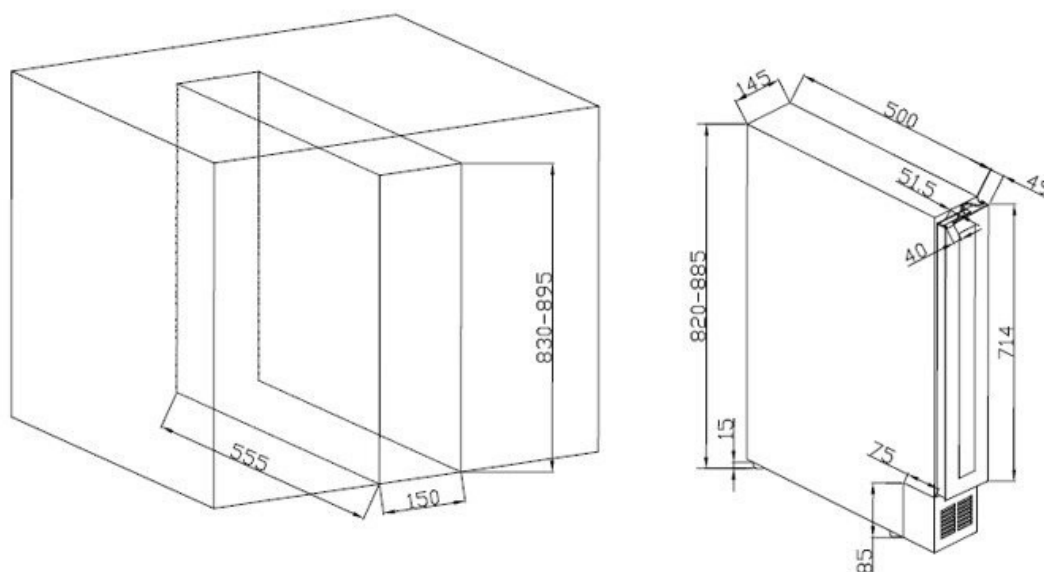
Light

Light source : LED
Light color(s) : White
Dimmable light : no
Light switch : yes
Permanent light option : Yes

Qtty per 20' : 282
Qtty per 40' : 596
Qtty per 40 HC : 790
Customs code : 84185019

AVU8TXA

EAN-13 - 3595320106015



Accessories

- 6 shelves, wire

Built-in information

Built-in dimensions (WxDxH) : 15.00 x 55.00 x 83.00

Plinth height : 8.50

Removable plinth : Yes

Warning installation : This product is equipped with a front ventilation system. Follow the installation instructions to ensure proper operation of the unit.

